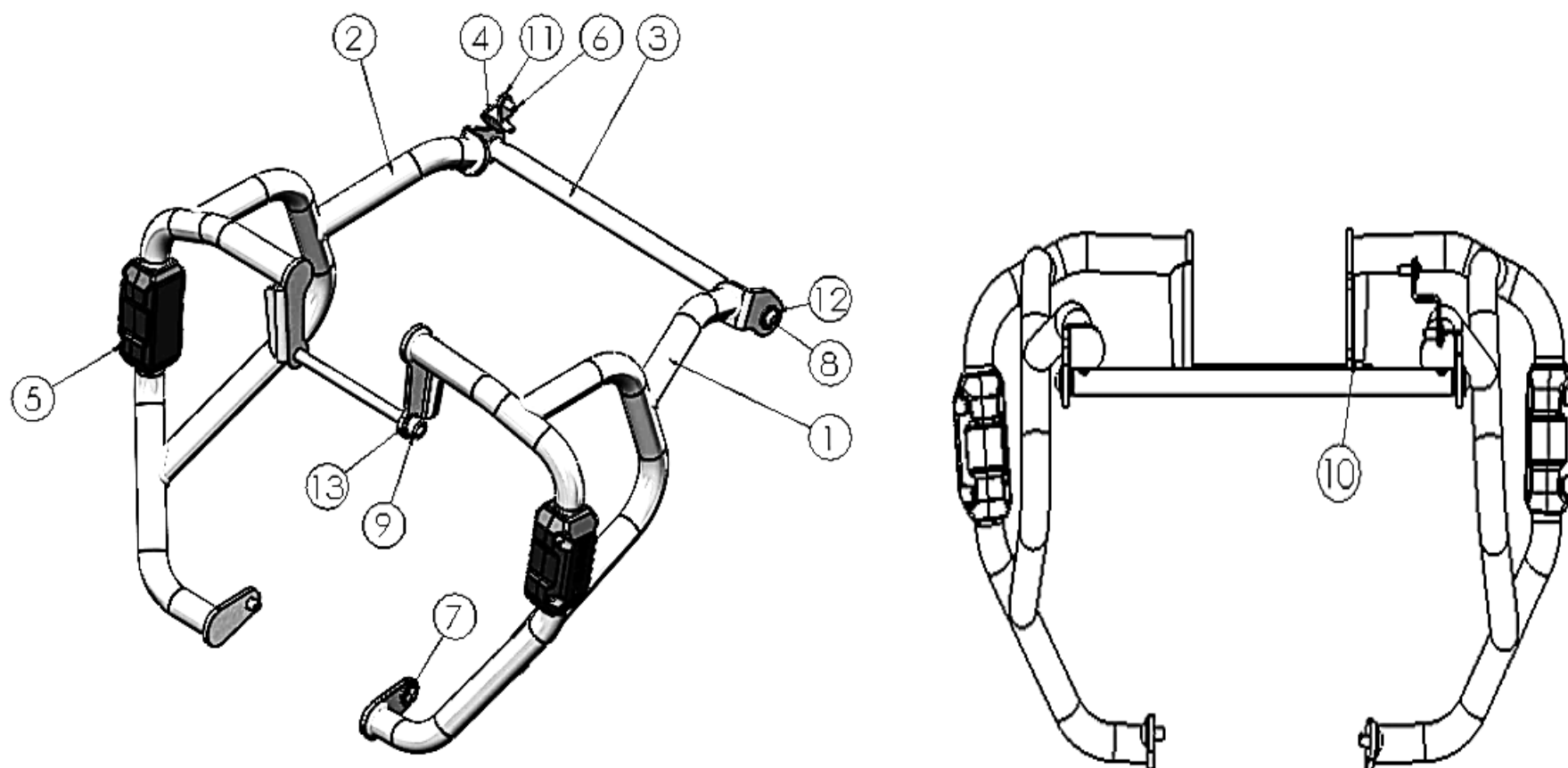


Scope of Supply/Bill of Material & Mounting Drawings

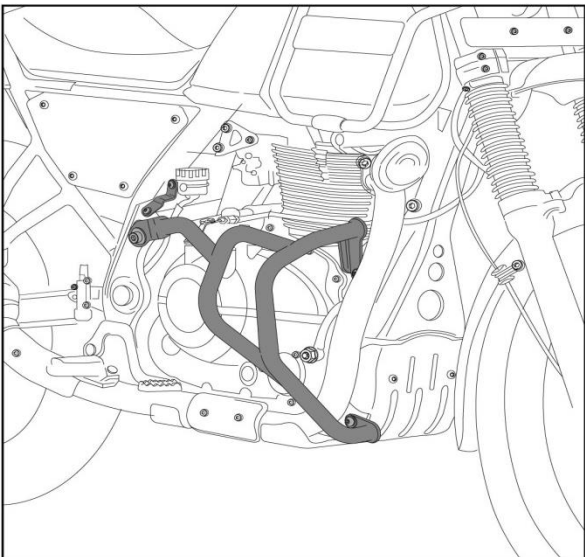
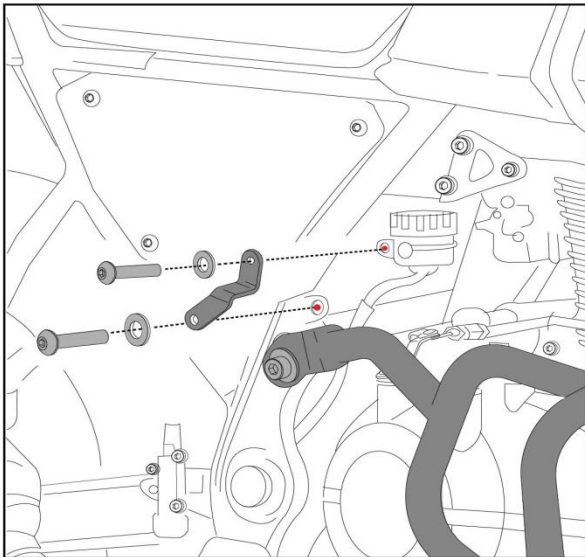
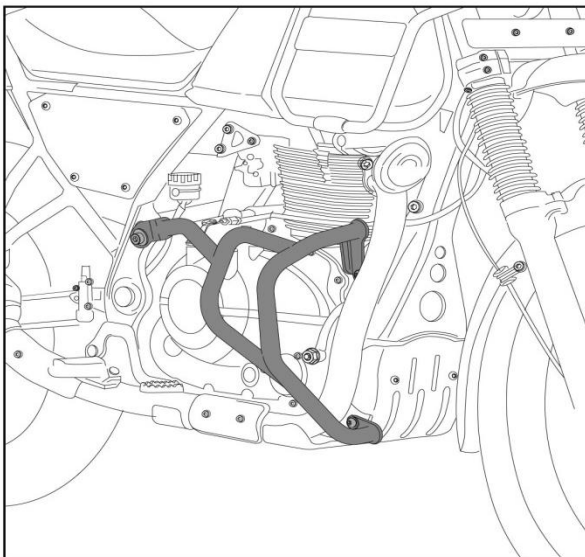
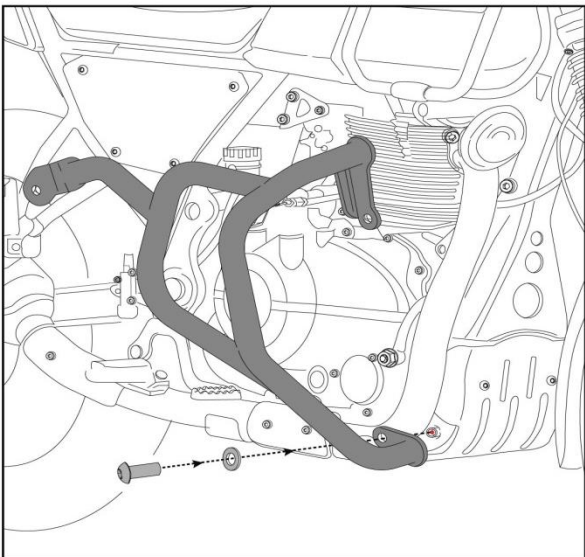
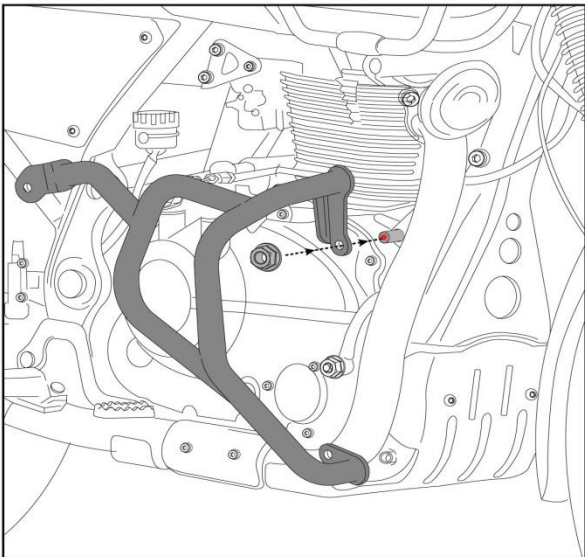
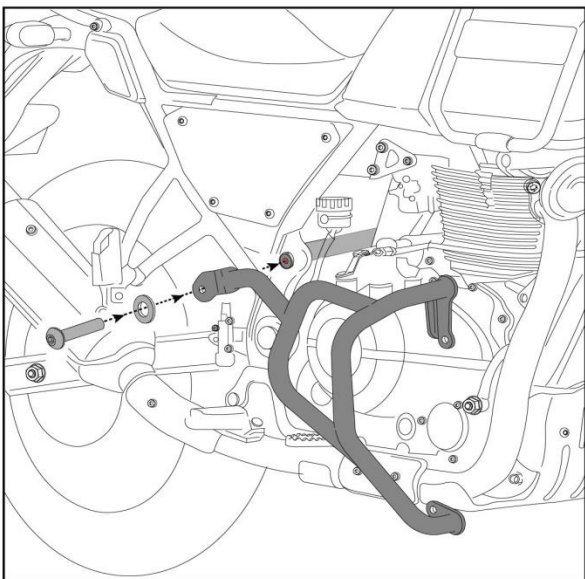
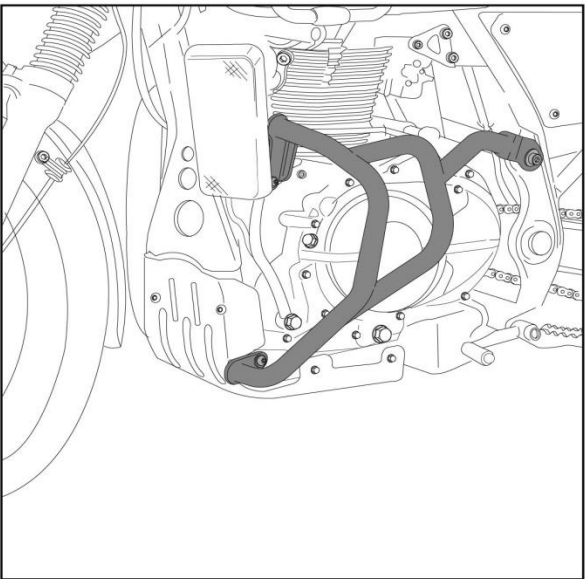
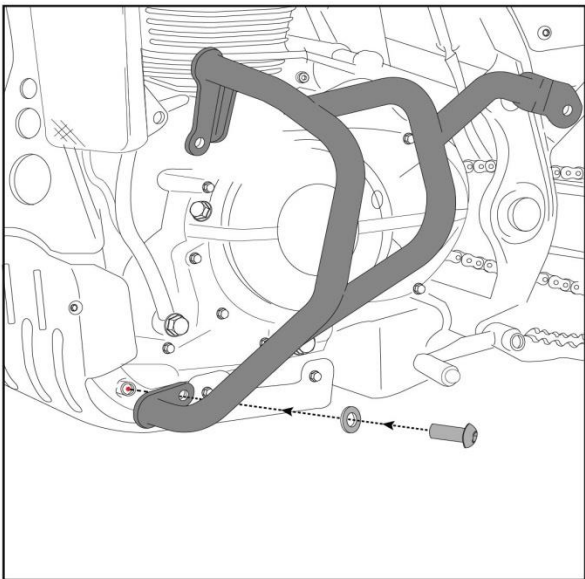
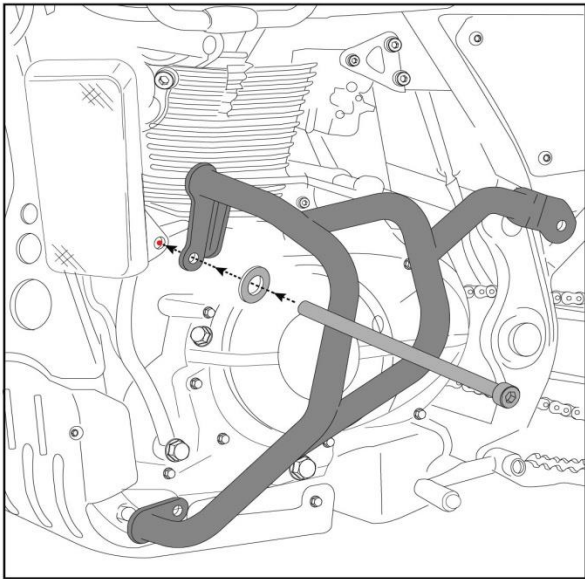
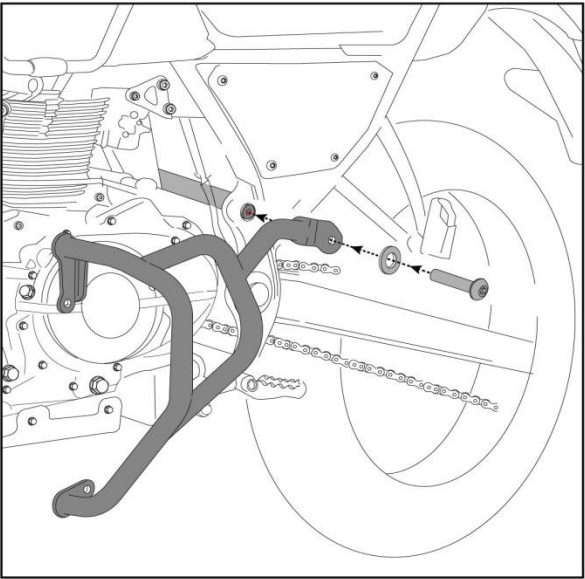
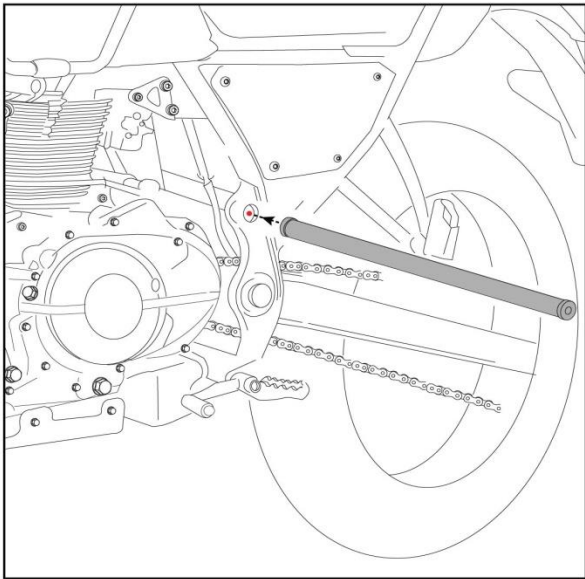
Part Number: R-HM18-17-01-SL / R-HM18-17-02
 Part Description: Crash Bar (Royal Enfield – Himalayan)
 Applicable to both Stainless Steel and Steel Versions

Installation / Parts List / Bill of Material for Mounting

NO.	Description	Quantity	Torque * (N-M)	Remarks **
1	Crash Bar - LH	1		
2	Crash Bar - RH	1		
3	Bolt Screw	1		
4	Pump Bracket	1		
5	Slider Guard	2		
6	Socket Button HEad Screw M6 X 15	2	10 - 12	Use Liquid Thread Locker
7	Socket Button HEad Screw M8 X 15	2	25 - 30	Use Liquid Thread Locker
8	Socket Button HEad Screw M8 X 20	2	25 - 30	Use Liquid Thread Locker
9	Socket Button HEad Screw M10 X 170	1	50 - 55	Use Liquid Thread Locker
10	Hexagonal Flange Nut M10	1	50 - 55	Use Liquid Thread Locker
11	Washer M6	2		
12	Washer M8	4		
13	Washer M10	1		
SRC Design uses Metric System of Measurement and all dimensions in Millimeters				
* Recommended to use the Torque specified in the table				
** Denotes Usage of Liquid Thread Locker in specified Locations				



Mounting Drawings



Crash Bar
Royal Enfield Himalayan

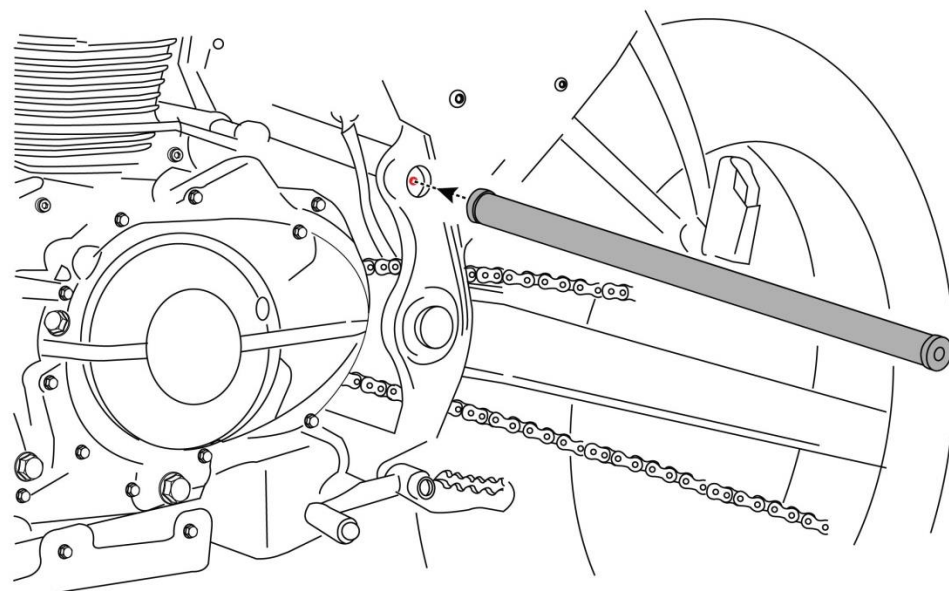
Mounting Instructions

Step 1:

First Axis of Alignment and Orientation for Mounting the Crash Bar is defined by the Bolt Screw (3).

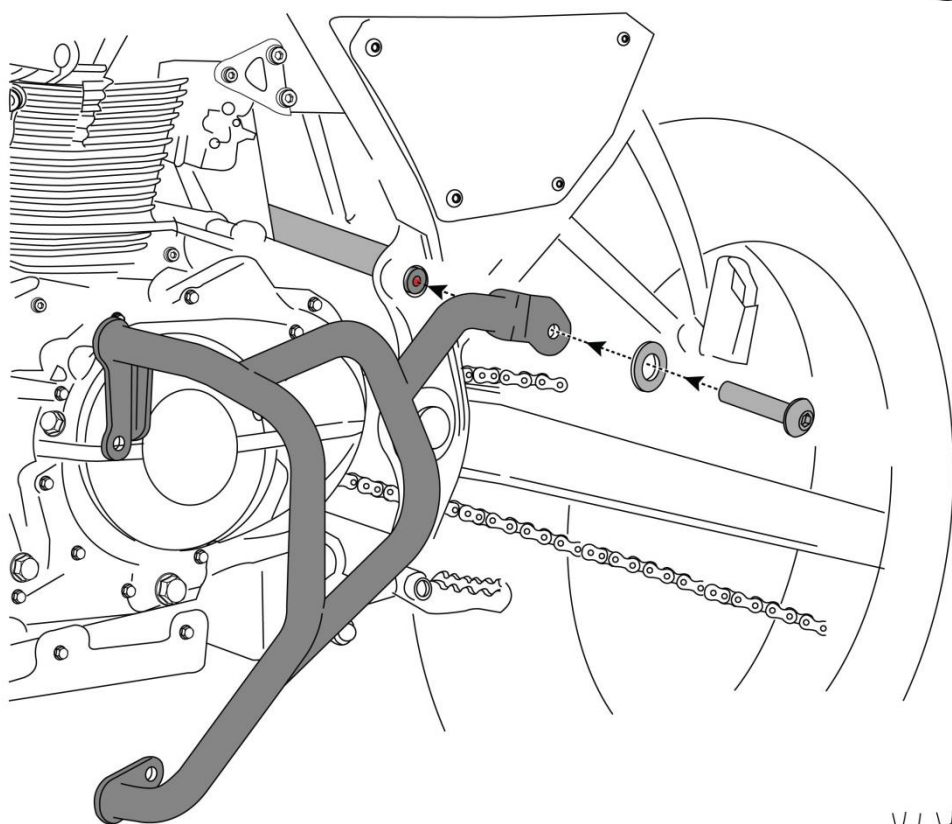
It has Threads on its ends, for Mounting and Tightening the Crash Bar from both sides.

Slide it through the Position in the Motorbike (As Shown in "Red").



Step 2:

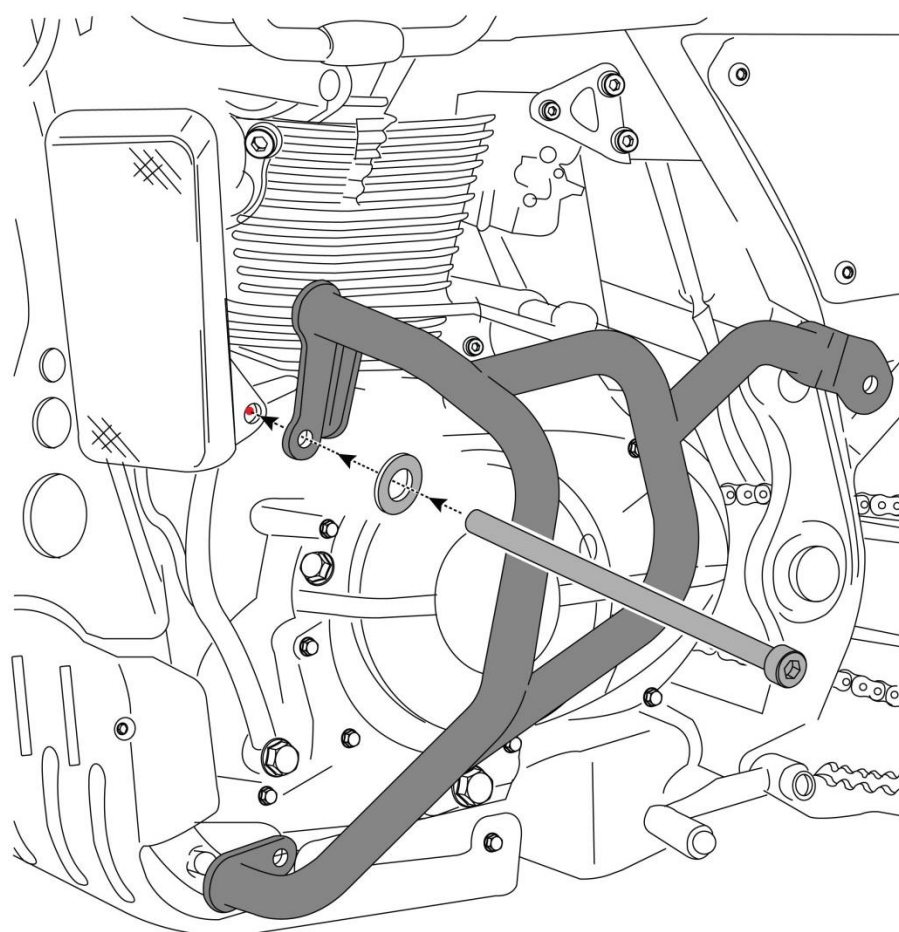
Align the Toe End of the Crash Bar (LH) (1) to this Bolt Screw and Slide the Washer (12) and Socket Button Head Screw (8) (M8 x 20) and secure the threads, but do not tighten it fully.

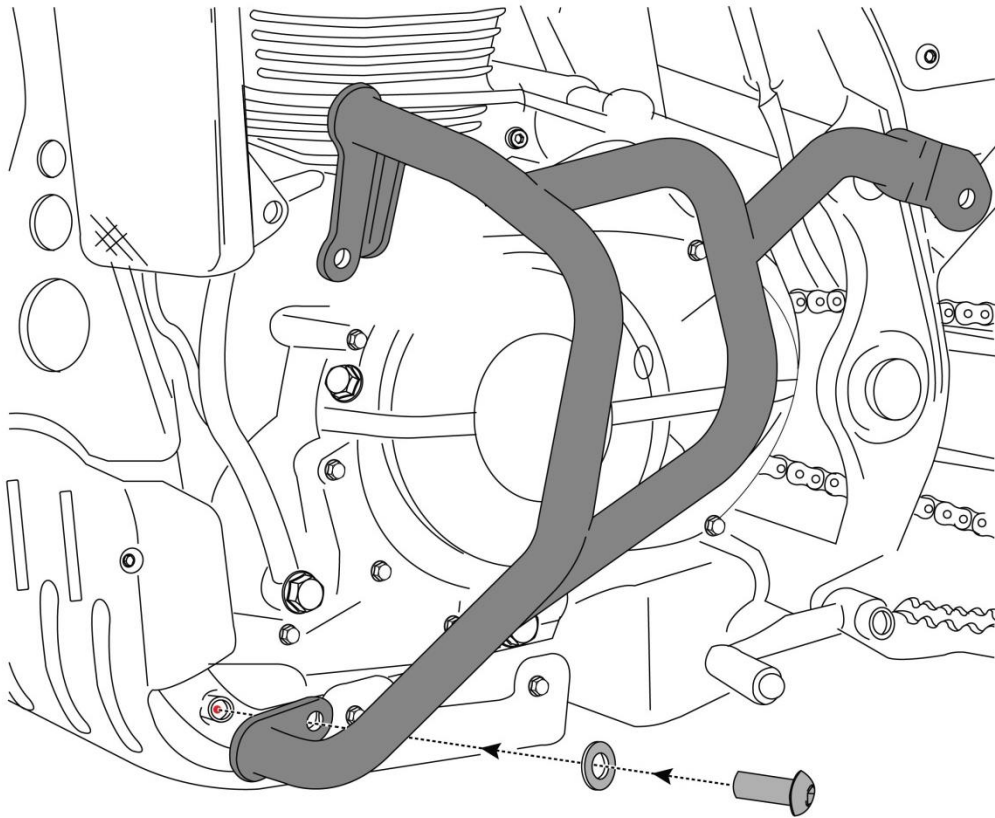


Step 3:

The Second Axis of alignment is defined by the Long bolt (9) (M10 x 170 Socket Head Cap Screw).

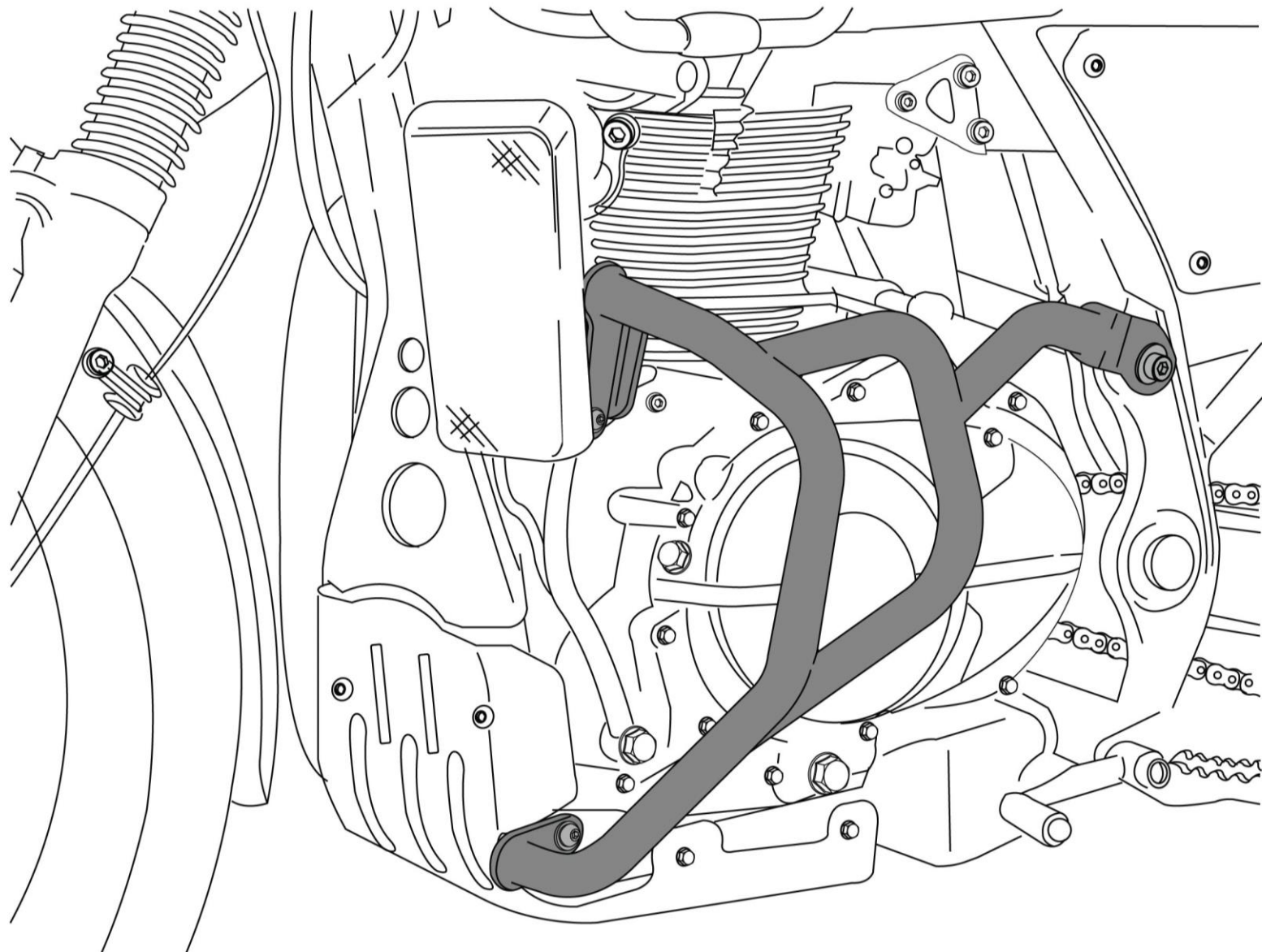
Align the Top side of the Crash Bar (LH) using this Long Bolt and slide the bolt through to the other side of the Motorbike (As shown in "Red").





Step 4:

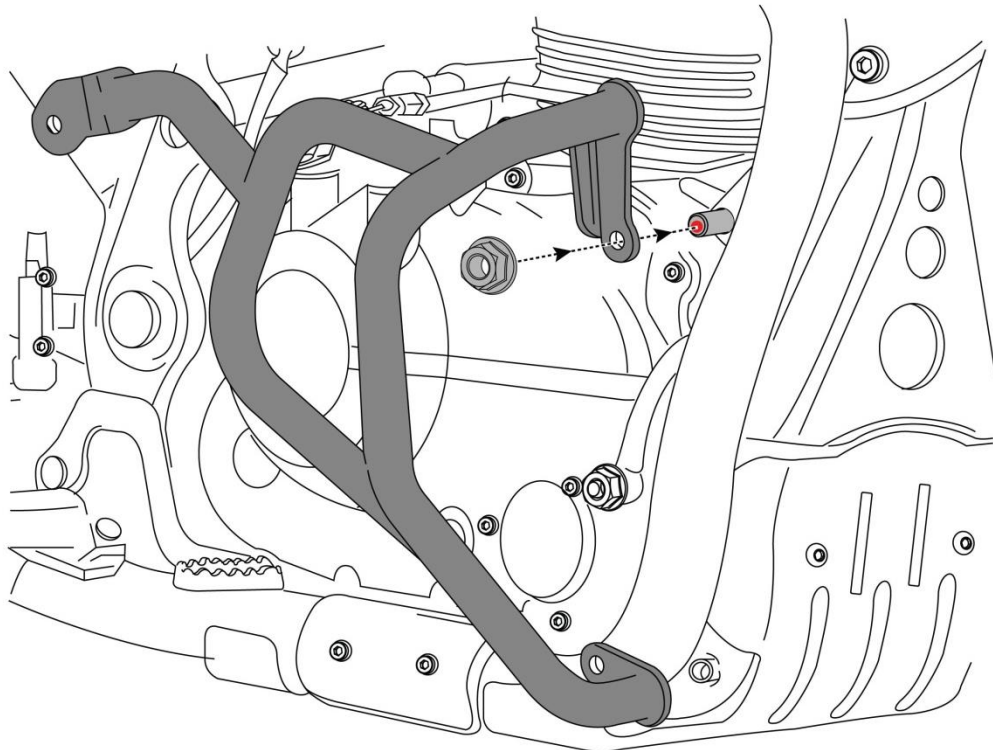
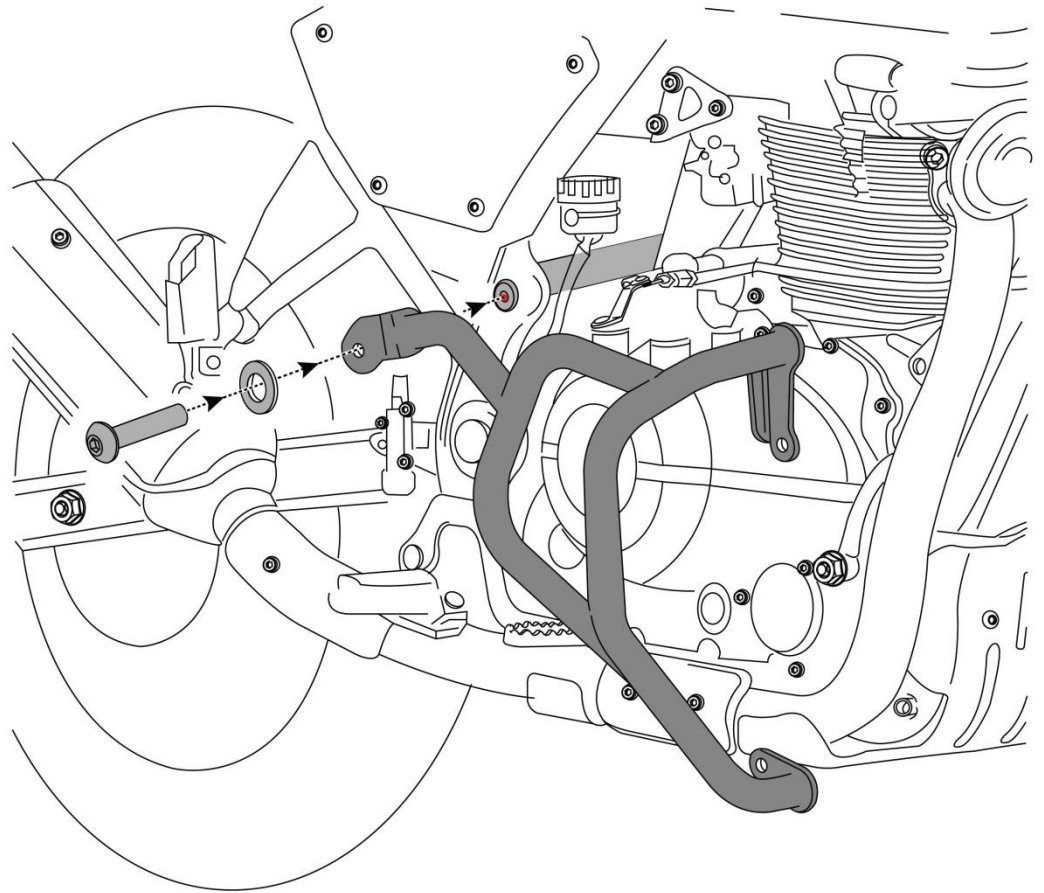
The Near end (Bottom side) of the Crash Bar (LH) can be mounted using Socket Button Head Screw (7) (M8 x 15) and tightened to the Mounting Hole in the Chassis frame (As Shown by "Red").



Refer to the drawing above for "As Is So far" Mounted condition of the Crash Bar.

Step 5:

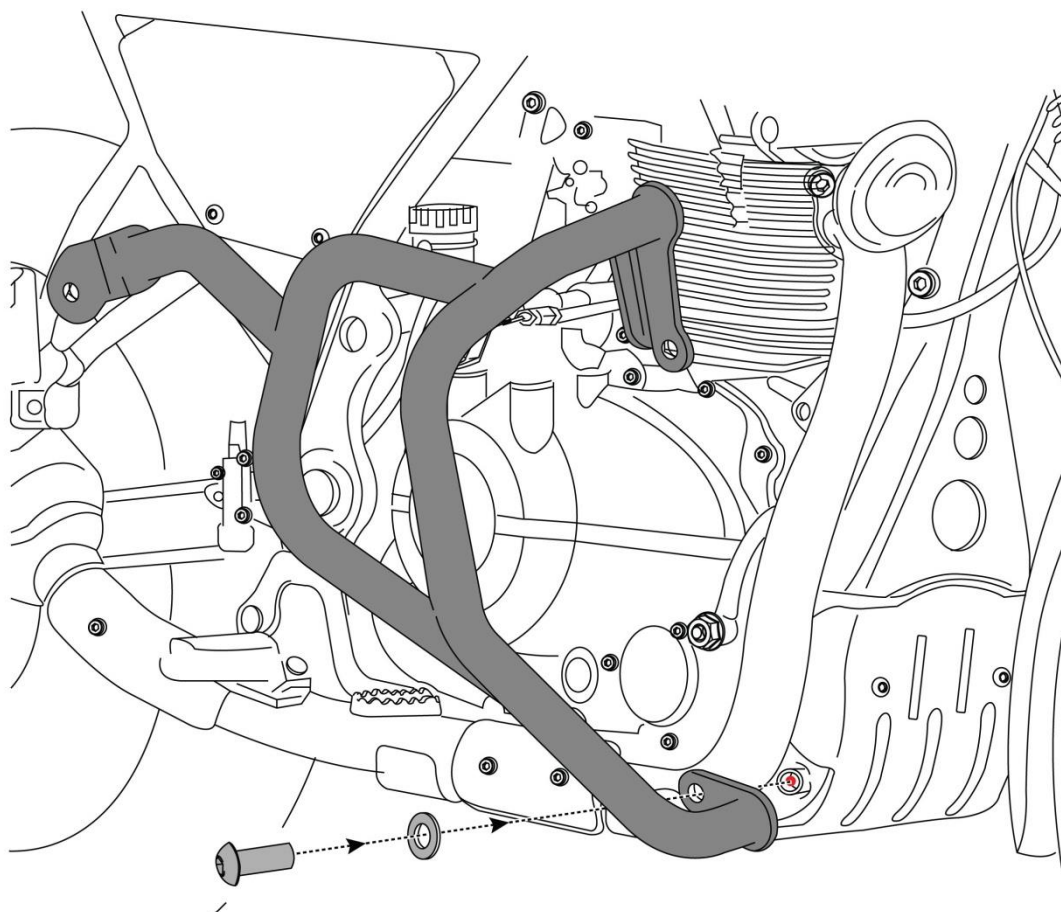
(Move to the RH Side as Shown) Align the Crash Bar (2)(RH) and orient the Toe end to the Bolt Screw (3) and secure it using Washer (12) and Socket Button Head Screw (8) (M8 x 20), but not tighten it fully.

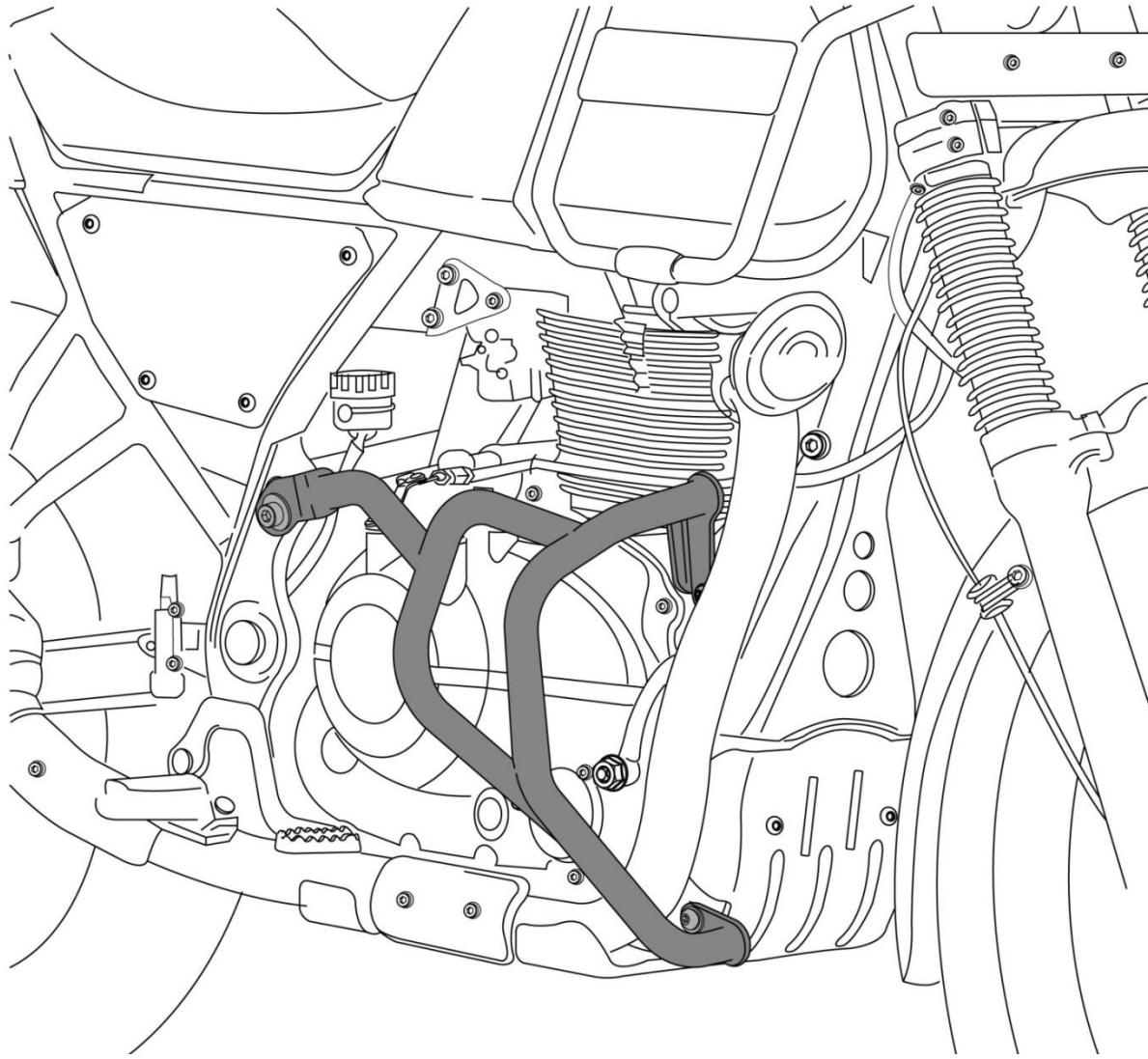


Step 6:

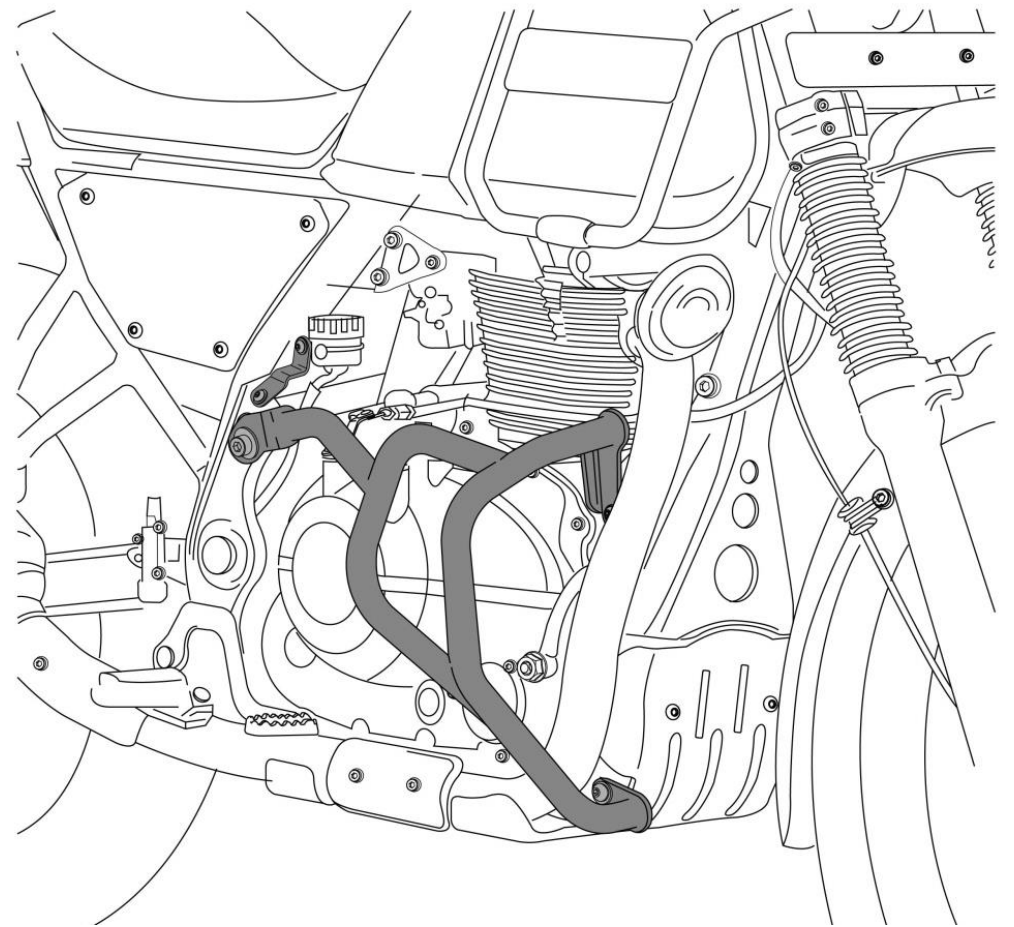
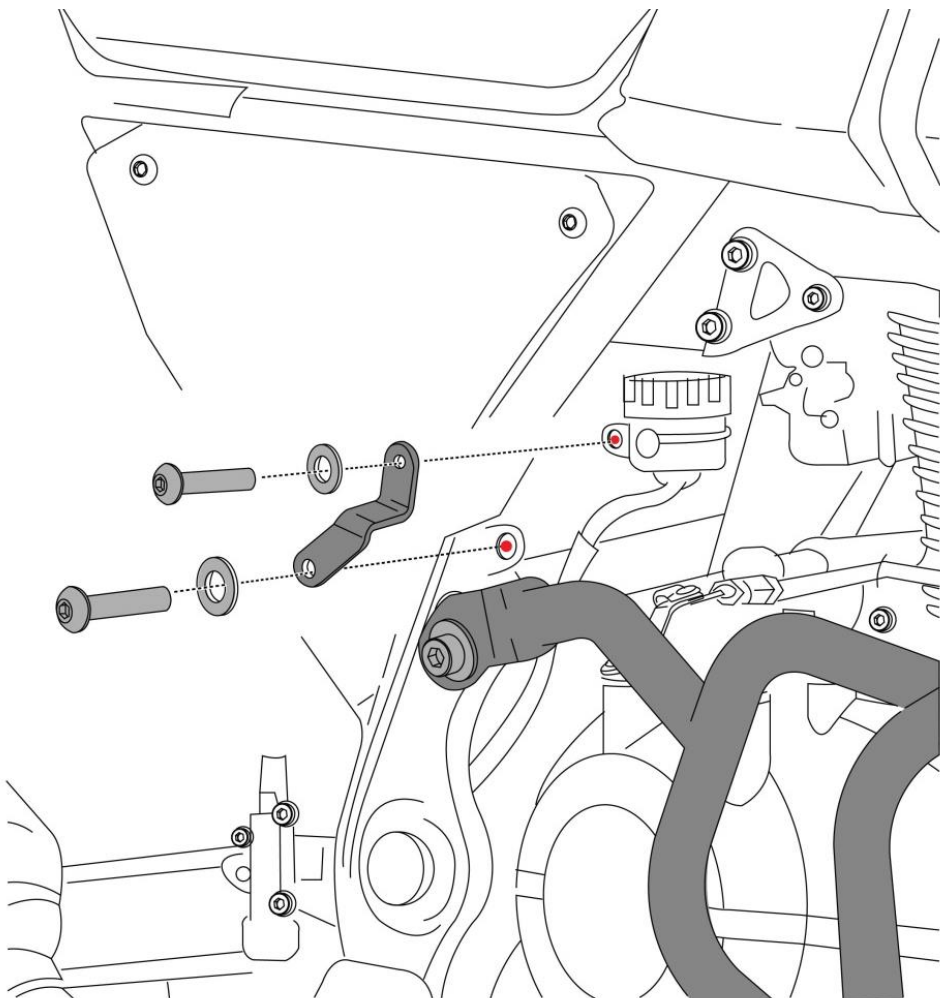
Orient the Top side of the Crash Bar (2) (RH) and secure it using Hexagonal Flange Nut (10) (M10) and Washer (13).

The Near end (Bottom side) of the Crash Bar (RH) can be mounted using Socket Button Head Screw (7) (M8 x 15) and tightened to the Mounting Hole to the Chassis frame (Identified by "Red").

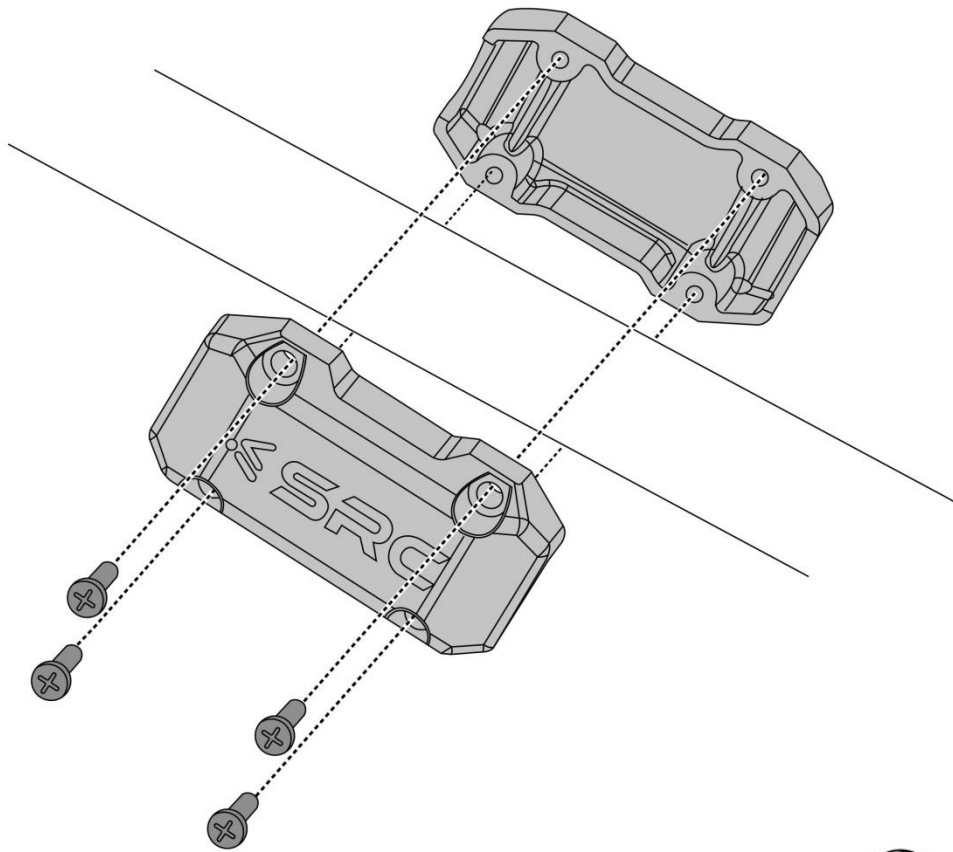




Refer to the drawing above for “As Is So far” Mounted condition of the Crash Bar.



Step 7:
The Bracket Pump (4) can be mounted and tightened (As Shown by “Red”) using Socket Button Head Screw (6) (M6 x 15) and Washer (11) (M6).



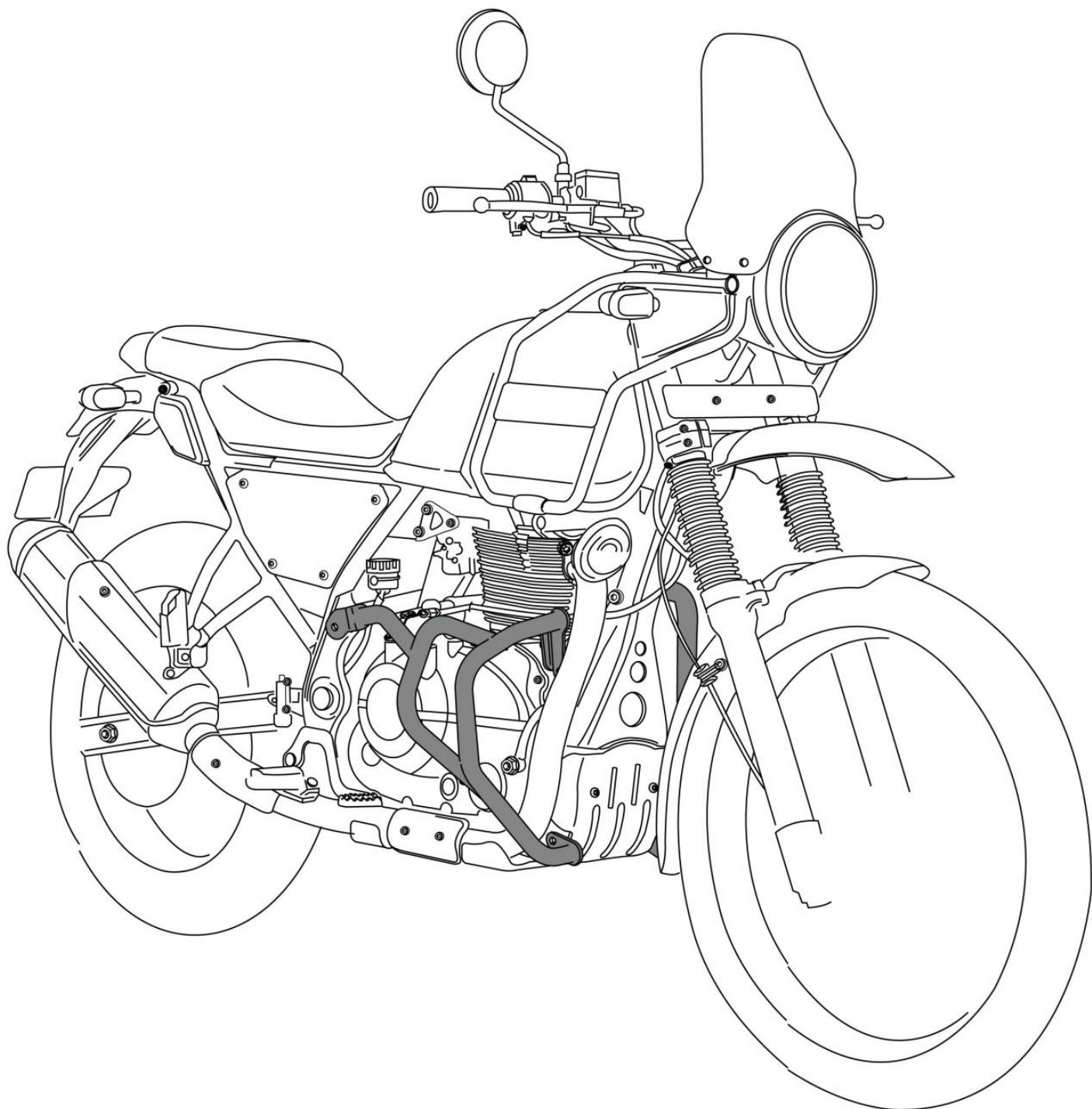
11

Step 8:

Assemble the Slider Bar on each of the Crash Bar as shown.

Use the Slider Bar as the Virtual Orientation and looking from the front side of the Motorbike, make one final Positioning and Alignment of the Crash bars.

Ensure mounting symmetry of the Slider Bars visually (it must not be offset or shifted visually when seen from the front side and back side).



Step 9:

All the screws can be tightened using Torque Values, as per specification



General Information

1. We request you to pay attention to the Mounting Instructions in this document and follow the step-by-step procedures.
2. This Mounting Instruction manual is a “Do It Yourself” (DIY) fitment manual of the Accessory part to the Vehicle. We have prepared this based on our experience and knowledge, related to the Vehicle, Part and its functional aspects.
3. SRC cannot guarantee the interchangeability of the parts to any other manufacturer’s accessory part. It is advised to the User, to inspect and ensure the original state of all other Vehicle parts.
4. We request you to bear in mind, that the Installed part can change the driving behaviour and/or the stability during driving or any other dynamic conditions.
5. If you have the appropriate tools and another person to assist you in the mounting, it will help.
6. To the maximum extent possible, our design use the current Mounting/Fitment of the Original Equipment, so that Installation of these accessories will not affect the Payload or Function of the Vehicle or the Part on which it is mounted to protect it
7. If any additional modifications are to be done, prior to the fitment of the accessories, it will be explicitly specified in the instruction sheets.